

**CLIMA
HOSTELERÍA**



- Code: EMP.6KE010

6 positionated switch

Heat plates made of cast material are tightly combined with the pressed top table.

Easy to clean and hygenic

Whole exterior body stainless stell

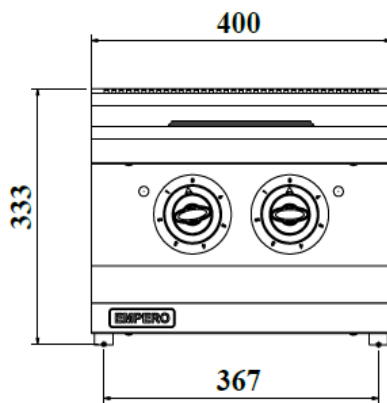
Top table cost 1,5mm stainless steel

Body 1 mm stainless steel

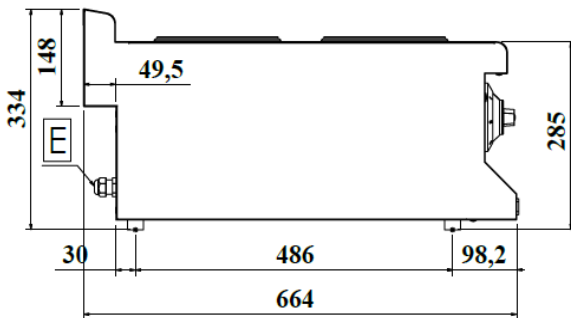
Stainless steel exterior panels

Thermostatic controller

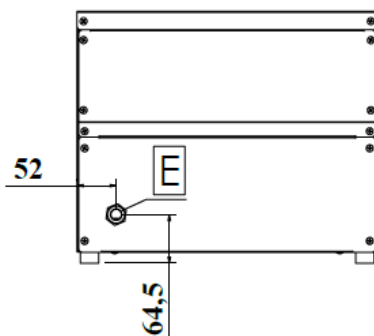
Front



Side



Back



E-Electric inlet

installation information

Power front burners	1,5 kW
Power back burners	2 kW
Total power	3,5 kW
Elektric value	0.11 m ³ /h
Electric inlet	230 V AC 1N PE
Cable croos section	3 X 2,5

Main information

Lenght	400 mm
Depth	664 mm
Height	285 mm
Weight	19 kg
Packed Lenght	480 mm
Packed Depth	760 mm
Packed Height	600 mm
Packed Weight	24,5 kg
Front plate dimension	ø 180 mm
Back plate dimension	ø 180 mm

If this device is placed near the other devices that have heat sensitiveness or furniture. It has to be leaved distance minimum 150 mm or must be provided by isolation